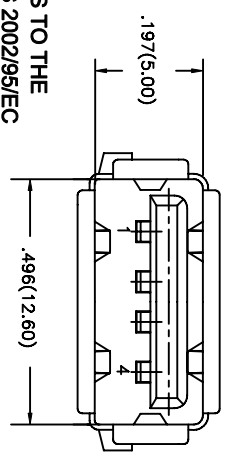
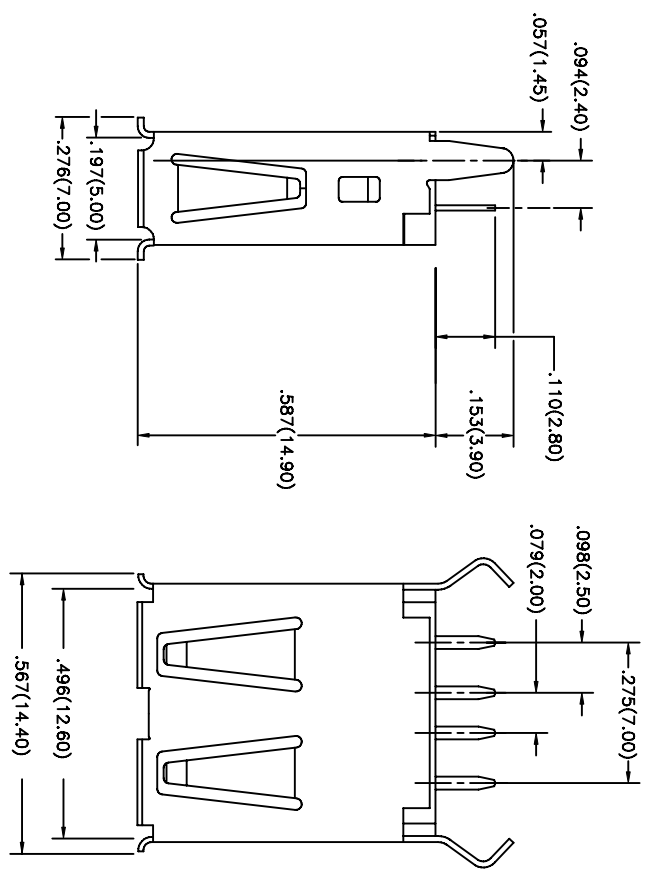


ISSUE NUMBER	①
ORIGINAL	①
REDRAWN AND PIN# ADDED ON BOARD LAY OUT	④
N:SONDH	DEC.09/08
RE-DWG.	APR.22/08
F.BRIONES	SEP.14/08

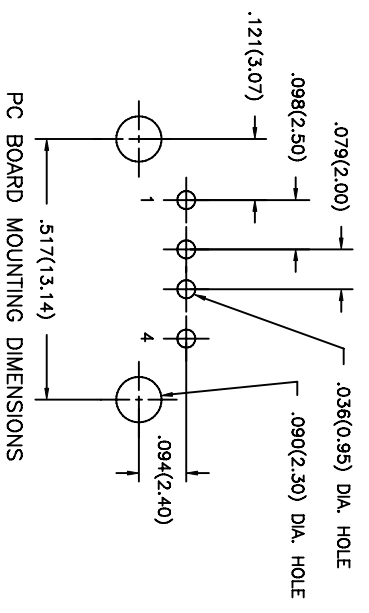


THIS SERIES FULLY CONFORMS TO THE EUROPEAN UNION DIRECTIVES 2002/95/EC AND 2002/96/EC FOR RoHS COMPLIANCY.

**MATERIALS:**  
 SHELL: COPPER ALLOY, NICKEL PLATED  
 CONTACTS: COPPER ALLOY GOLD PLATE ON CONTACT AREA  
 TIN ON TAIL END  
 GOLD FLASH  
 15 MICRONS OF GOLD 360 CONTACT CODE  
 30 MICRONS OF GOLD 660 CONTACT CODE  
 INSULATOR: THERMOPLASTIC (HIGH TEMPERATURE RESISTANCE)

**PART NUMBER: 690-004-260-013**

**CONTACT CODE** \_\_\_\_\_



USB CONNECTOR A TYPE, VERTICAL, SINGLE DECK

EDAC INC TORONTO, ONTARIO CANADA		ACAD REFERENCE NO. 690-004-260-013	
EDAC INC TORONTO, ONTARIO CANADA		DRAWN: J.CHOW	
EDAC INC TORONTO, ONTARIO CANADA		DATE: OCT 16/98	
EDAC INC TORONTO, ONTARIO CANADA		CHECKED: _____	
EDAC INC TORONTO, ONTARIO CANADA		DATE: _____	
EDAC INC TORONTO, ONTARIO CANADA		SCALE: (IN C.A.D. 1:1)	
EDAC INC TORONTO, ONTARIO CANADA		SHEET 1 OF 1	
EDAC INC TORONTO, ONTARIO CANADA		DRAWING NUMBER	
EDAC INC TORONTO, ONTARIO CANADA		690-004-260-013	
EDAC INC TORONTO, ONTARIO CANADA		ISSUE	
EDAC INC TORONTO, ONTARIO CANADA		6	

YOUR CONNECTION TO QUALITY & SERVICE

THESE DRAWINGS AND SPECIFICATIONS ARE THE PROPERTY OF EDAC INC. AND SHALL NOT BE REPRODUCED OR COPIED OR USED AS THE BASIS FOR THE MANUFACTURE OR SALE OF APPARATUS WITHOUT WRITTEN PERMISSION.